

HIMW 64225 S

HIMW 64223 S

Built-in hob

User Manual

Варочная

Поверхность

Руководство

пользователя

Please read this manual first.

Dear Customer,

We would like you to obtain the best performance from your product which has been manufactured in modern facilities and under strict quality control procedures.

Therefore, we advise you to read through this User Manual carefully before using your product and keep it for future reference. If you hand over the product to someone else, deliver the User Manual as well.

The User Manual will help you use the product in a fast and safe way.

- Read the User Manual before installing and operating the product.
 - You must strictly observe the safety instructions.
 - Keep this User Manual within easy reach for future reference.
 - Also read other documents supplied with the product.
- Remember that this User Manual may also be applicable for several other models. Differences between models are explicitly identified in the manual.

Explanation of symbols

Throughout this User Manual the following symbols are used:



Important information or useful hints about usage.



Warning for hazardous situations with regard to life and property.



Warning for electric shock.



Warning for risk of fire.



Warning for hot surfaces.

Arçelik A.Ş.

Karaağaç caddesi No:2-6
34445 Söğütözü/İstanbul/TURKEY

Made in TURKEY



TABLE OF CONTENTS

1 General information 4

Overview	4
Technical specifications	5
Package contents	5
Injector table	5

2 Important safety instructions 6

General safety	6
Safety for children	6
Safety when working with gas	6
Intended use	7

3 Installation 8

Before installation	8
Installation and connection	9
Gas conversion	11
Compliance with EEE Directive	12
Package information	12
Future Transportation	12

Disposing of the old product	12
------------------------------------	----

4 Preparation 13

Tips for saving energy	13
Initial use	13
First cleaning of the appliance	13

5 How to use the hob 14

General information about cooking	14
Using the hobs	14

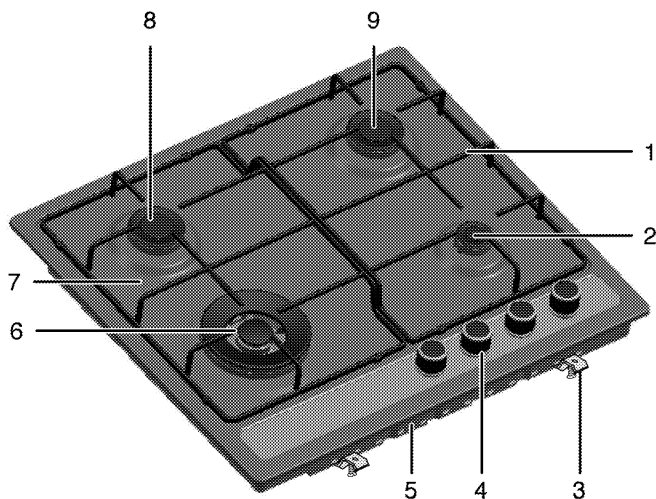
6 Maintenance and care 16

General information	16
Cleaning the hob	16
Cleaning the control panel	17

7 Troubleshooting 18

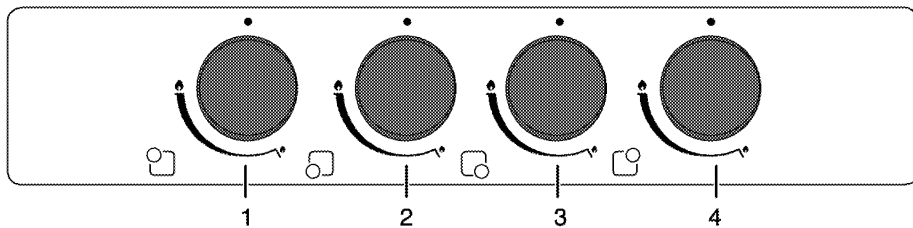
1 General information

Overview



- 1 Pan support
- 2 Auxiliary burner
- 3 Assembly clamp
- 4 Control panel
- 5 Base cover

- 6 Wok burner
- 7 Burner plate
- 8 Normal burner
- 9 Normal burner



- 1 Normal burner Rear left
- 2 Wok burner Front left

- 3 Auxiliary burner Front right
- 4 Normal burner Rear right

Technical specifications

Voltage / frequency	220-230 V ~ 50 Hz
Cable type / section	H05RR-FG 3 x 0,75 mm ²
Cable length	max. 2 m
Category of gas product	II 2H3B/P
Gas type / pressure	NG G 20/20 mbar
Total gas consumption	7.8 kW
Converting the gas type / pressure ^S – optional	NG G 20/10 mbar NG G 20/13 mbar - LPG G 30/30 mbar
External dimensions (height / width / depth)	99 mm/580 mm/510 mm
Installation dimensions (width / depth)	560 mm/480-490 mm
Burners	
Rear left	Normal burner
Power	1750 W
Front left	Wok burner
Power	3300 W
Front right	Auxiliary burner
Power	1000 W
Rear right	Normal burner
Power	1750 W



Technical specifications may be changed without prior notice to improve the quality of the product.



Figures in this manual are schematic and may not exactly match your product.



Values stated on the product labels or in the documentation accompanying it are obtained in laboratory conditions in accordance with relevant standards. Depending on operational and environmental conditions of the product, these values may vary.

Package contents



Accessories supplied can vary depending on the product model. Not every accessory described in the user manual may exist on your product.

User manual

Coffee pot adaptor



Used for coffe pots.

Wok pan adaptor



Used for hosting a wok pan with a round bottom.

Injector table

Position hob zone	1750 W Rear left	3300 W Front left	1000 W Front right	1750 W Rear right
Gas type / Gas pressure				
G 20/10 mbar	116	160	92	116
G 20/13 mbar	107	150	85	107
G 20/20 mbar	97	132	78	97
G 30/28-30 mbar	66	92	50	66

2 Important safety instructions

This section contains safety instructions that will help you avoid risk of injury and damage. All warranties will become void if you do not follow these instructions.

General safety

- This product is not intended to be used by persons with physical, sensory or mental disorders or unlearned or inexperienced people (including children) unless they are attended by a person who will be responsible for their safety or who will instruct them accordingly for use of the product.
Children must be supervised to prevent them from tampering with the product.
- Connect the product to an earthed outlet/line protected by a fuse of suitable capacity as stated in the "Technical specifications" table. Have the earthing installation made by a qualified electrician while using the product with or without a transformer. Our company shall not be liable for any problems arising due to the product not being earthed in accordance with the local regulations.
- If the supply cord is damaged, it must be replaced by the manufacturer, its service agent or similarly qualified persons in order to avoid a hazard.
- Do not operate the product if it is defective or has any visible damage.
- Do not carry out any repairs or modifications on the product. However, you may remedy some troubles that do not require any repairs or modifications. See *Troubleshooting, page 18*.
- Never wash down the product with water! There is the risk of electric shock!
- Never use the product when your judgment or coordination is impaired by the use of alcohol and/or drugs.
- Product must be disconnected from the mains during installation, maintenance, cleaning and repair procedures.

- Be careful when using alcoholic drinks in your dishes. Alcohol evaporates at high temperatures and may cause fire since it can ignite when it comes into contact with hot surfaces.
- Do not heat closed tins and glass jars in the oven. The pressure that would build-up in the tin/jar may cause it to burst.
- Do not place any flammable materials close to the product as the sides may become hot during use.
- Keep all ventilation slots clear of obstructions.
- Make sure that the product function knobs are switched off after every use.

Safety for children

- Packaging materials are dangerous to children. Keep packaging materials in a safe place out of reach of children.
- Electrical and/or gas products are dangerous to children. Keep children away from the product when it is operating and do not allow them to play with the product.
- Accessible parts of the appliance will become hot whilst the appliance is in use. Children should be kept away until the product has cooled down.
- Do not place any items above the appliance that children may reach for.
- The packaging materials will be dangerous for children. Keep the packaging materials away from children. Please dispose of all parts of the packaging according to environmental standards.

SAVE THESE INSTRUCTIONS

Safety when working with gas

- Any works on gas equipment and systems may only be carried out by authorised qualified persons who are Gas Safe registered.
- "Prior to the installation, ensure that the local distribution conditions (nature of the gas and gas pressure) and the adjustment of the appliance are compatible."

- "This appliance is not connected to a combustion products or evacuation device. It shall be installed and connected in accordance with current installation regulations. Particular attention shall be given to the relevant requirements regarding ventilation;" See *Before installation, page 8*
- "CAUTION: The use of gas cooking appliance results in the production of heat and moisture in the room in which it is installed. Ensure that the kitchen is well ventilated: keep natural ventilation holes open or install a mechanical ventilation device (mechanical extractor hood). Prolonged intensive use of the appliance may call for additional ventilation, for example increasing the level of the mechanical ventilation where present."
- Gas appliances and systems must be regularly checked for proper functioning. Regulator, hose and its clamp must be checked regularly and replaced within the periods recommended by its manufacturer or when necessary.
- Clean the gas burners regularly. The flames should be blue and burn evenly.
- Good combustion is required in gas appliances. In case of incomplete combustion, carbon monoxide (CO) might develop. Carbon monoxide is a colourless, odourless and very toxic gas, which has a lethal effect even in very small doses.
- Request information about gas emergency telephone numbers and safety measures in

case of gas smell from you local gas provider.

What to do when you smell gas



DANGER

Do not use open flame or do not smoke.

Do not operate any electrical buttons (e.g. lamp button, door bell and etc.)

Do not use fixed or mobile phones.

Risk of explosion and toxication!

1. Turn off all valves on gas appliances and gas meter at the main control valve, unless it's in a confined space or cellar.
2. Open doors and windows.
3. Check all tubes and connections for tightness. If you still smell gas leave the property.
4. Warn the neighbours.
5. Call the fire-brigade. Use a telephone outside the house.
 - 5.1 If you have door or gates that are secured by an electric lock, or entry phone, please open these manually.
6. Do not re-enter the property until you are told it is safe to do so.

Intended use

This product is designed for domestic use.

Commercial use will void the guarantee.

"CAUTION: This appliance is for cooking purposes only. It must not be used for other purposes, for example room heating."

The manufacturer shall not be liable for any damage caused by improper use or handling errors.

3 Installation

Product must be installed by a qualified person in accordance with the regulations in force. The manufacturer shall not be held responsible for damages arising from procedures carried out by unauthorized persons which may also void the warranty.



Preparation of location and electrical and gas installation for the product is under customer's responsibility.



DANGER

The product must be installed in accordance with all local gas and/or electrical regulations.



DANGER

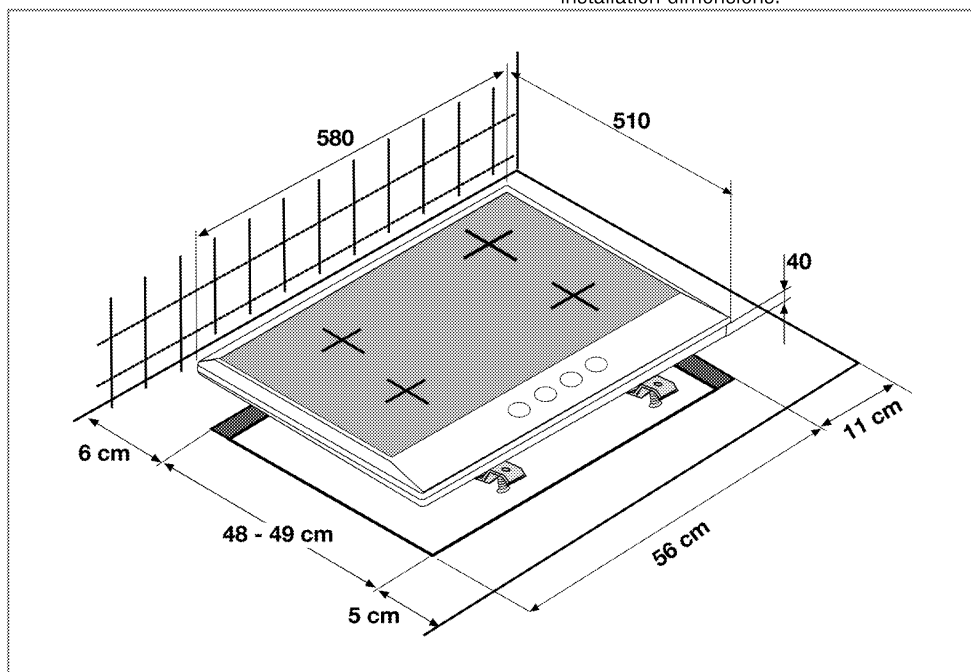
Prior to installation, visually check if the product has any defects on it. If so, do not have it installed.

Damaged products cause risks for your safety.

Before installation

The hob is designed for installation in a commercial worktop. A safety distance must be left between the appliance and the kitchen walls and furniture. See figure (values in mm).

- It can also be used in a free standing position. Allow a minimum distance of 750 mm above the hob surface.
- (*) If a cooker hood is to be installed above the cooker, refer to cooker hood manufacturer' instructions regarding installation height (min 650 mm)
- Remove packaging materials and transport locks.
- Surfaces, synthetic laminates and adhesives used must be heat resistant (100 °C minimum).
- The worktop must be aligned and fixed horizontally.
- Cut aperture for the hob in worktop as per installation dimensions.



Room ventilation

All rooms require an openable window, or equivalent, and some rooms will require a permanent vent as well.

The air for combustion is taken from the room air and the exhaust gases are emitted directly into the room.

Good room ventilation is essential for safe operation of your appliance. If there is no window or door available for room ventilation, an extra ventilation must be installed.

The appliance may be located in a kitchen, kitchen/diner or a bed-sitting room, but not in a room containing a bath or shower. The appliance must not be installed in a bed-sitting room of less than 20m³.

Do not install this appliance in a room below ground level unless it is open to ground level on at least one side.


Room size	Ventilation opening
smaller than 5 m ³	min. 100 cm ²
5 m ³ to 10 m ³	min. 50 cm ²
greater than 10 m ³ , den	not required
In the cellar or basement	min. 65 cm ²

Installation and connection


- The product must be installed in accordance with all local gas and electrical regulations.

Electrical connection

Connect the product to a grounded outlet/line protected by a fuse of suitable capacity as stated in the "Technical specifications" table. Have the grounding installation made by a qualified electrician while using the product with or without a transformer. Our company shall not be liable for any damages that will arise due to using the product without a grounding installation in accordance with the local regulations.


**DANGER**

The product must be connected to the mains supply only by an authorised and qualified person. The product's warranty period starts only after correct installation.
Manufacturer shall not be held responsible for damages arising from procedures carried out by unauthorised persons.


**DANGER**

The power cable must not be clamped, bent or trapped or come into contact with hot parts of the product.
A damaged power cable must be replaced by a qualified electrician. Otherwise, there is risk of electric shock, short circuit or fire!

- Connection must comply with national regulations.
- The mains supply data must correspond to the data specified on the type label of the product. Type label is at the rear housing of the product.
- Power cable of your product must comply with the values in "Technical specifications" table.

**DANGER**

Before starting any work on the electrical installation, disconnect the product from the mains supply.
There is the risk of electric shock!



Power cable plug must be within easy reach after installation (do not route it above the hob).

Plug the power cable into the socket.

Gas connection



DANGER

Product can be connected to gas supply system only by an authorised and qualified person.
Risk of explosion or toxication due to unprofessional repairs!
Manufacturer shall not be held responsible for damages arising from procedures carried out by unauthorised persons.



DANGER

Before starting any work on the gas installation, disconnect the gas supply. There is the risk of explosion!

- Gas adjustment conditions and values are stated on labels (or ion type label).



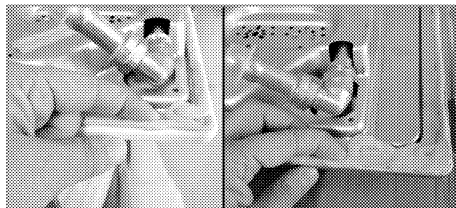
Your product is equipped for natural gas (NG).

- Natural gas installation must be prepared before installing the product.
- There must be a flex pipe at the outlet of the installation for the natural gas connection of your product and the tip of this pipe must be closed with a blind plug. Service Representative will remove the blind plug during connection and connect your product by means of a straight connection device (coupling).
- Make sure that the natural gas valve is readily accessible.
- If you need to use your product later with a different type of gas, you must consult the Authorised Service Agent for the related conversion procedure.

Installing the product

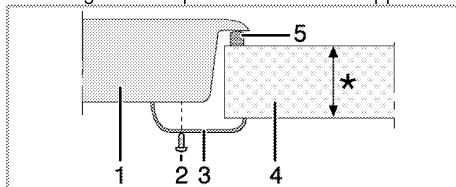
1. Remove burners, burner caps and grills on the hob from the product.
2. Turning the hob upside down, place it on a flat surface.
3. In order to avoid the foreign substances and liquids penetrate between the hob and the counter, please apply the putty supplied in the package on the contours of the lower housing of the hob but make sure that the putty does not overlap.

4. Fill the corners by forming bends at the corners as illustrated in the figure. Form as much bend as required to fill the gap in the corners.



Make sure that the skirting sections on the lower housing of the hob are filled with putty.

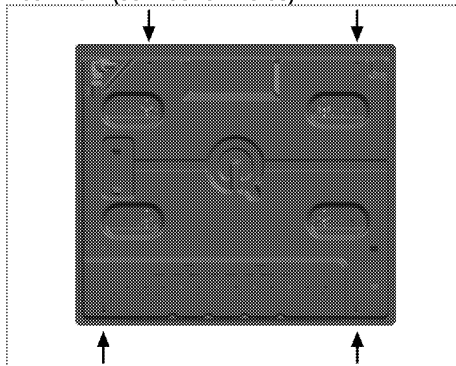
5. Turning the hob again, align and place it on the counter.
6. You can secure your hob to the counter by using the clamp and the screws supplied.



* min. 20 & max. 40 mm

- 1 Hob
- 2 Screw
- 3 Installation clamp
- 4 Counter
- 5 Putty

Rear view (connection holes)



Place the burner plates, burner plate caps and grills back to their seating after installation.

i Making connections to different holes is not a good practice in terms of safety since it can damage the gas and electrical system.

Final check

1. Open gas supply.
2. Check gas installations for secure fitting and tightness.
3. Ignite burners and check appearance of the flame.

i Flame must be blue and have a regular shape. If the flame is yellowish, check if the burner cap is seated securely or clean the burner.

Gas conversion

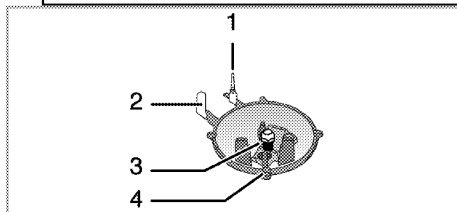
! **DANGER**
Before starting any work on the gas installation, disconnect the gas supply. There is the risk of explosion!

In order to change your appliance's gas type, change all injectors and make flame adjustment for all valves at reduced flow rate position.

Exchange of injector for the burners

1. Take off burner cap and burner body.
2. Unscrew injectors by turning the counter-clockwise.
3. Fit new injectors.
4. Check all connections for secure fitting and tightness.

i New injectors have their position marked on their packing or injector table on *Injector table*, page 5 can be referred to.



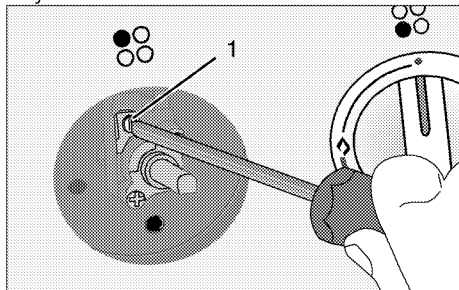
- 1 Flame failure device (model dependant)
- 2 Spark plug
- 3 Injector
- 4 Burner

i Unless there is an abnormal condition, do not attempt to remove the gas burner taps. You must call an Authorised service agent if it is necessary to change the taps.

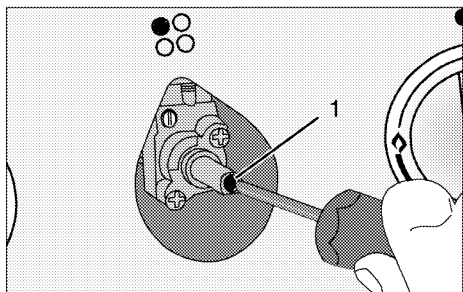
Reduced gas flow rate setting for hob taps

1. Ignite the burner that is to be adjusted and turn the knob to the reduced position.
2. Remove the knob from the gas tap.
3. Use an appropriately sized screwdriver to adjust the flow rate adjustment screw.
For LPG (Butane - Propane) turn the screw clockwise. For the natural gas, you should turn the screw **counter-clockwise** once.
» The normal length of a straight flame in the reduced position should be 6-7 mm.
4. If the flame is higher than the desired position, turn the screw clockwise. If it is smaller turn anticlockwise.
5. For the last control, bring the burner both to high-flame and reduced positions and check whether the flame is on or off.

Depending on the type of gas tap used in your appliance the adjustment screw position may vary.



- 1 Flow rate adjustment screw



1 Flow rate adjustment screw

i If the gas type of the unit is changed, then the rating plate that shows the gas type of the unit must also be changed.

Compliance with EEE Directive

This product does not contain harmful and forbidden materials described in the "Directive on the Restriction of the Use of Certain Hazardous Substances in Electrical and Electronic Equipment" (EEE) issued by the T.R. Ministry of Environment and Forest.

Complies with the EEE Directive.

Package information

Packaging materials of the product are manufactured from recyclable materials in accordance with our National Environment Regulations.

Do not dispose of the packaging materials together with the domestic or other wastes. Take them to the packaging material collection points designated by the local authorities.

Future Transportation

- Keep the product's original carton and transport the product in it. Follow the instructions on the carton. If you do not have the original carton, pack the product in bubble wrap or thick cardboard and tape it securely.
- Secure the caps and pan supports with adhesive tape.

i Check the general appearance of your product for any damages that might have occurred during transportation.

Disposing of the old product



Dispose of the old product in an environmentally friendly manner.

This equipment bears the selective sorting symbol for waste electrical and electronic equipment (WEEE). This means that this equipment must be handled pursuant to European Directive 2002/96/EC in order to be recycled or dismantled to minimize its impact on the environment. For further information, please contact local or regional authorities.

Refer to your local dealer or solid waste collection centre in your area to learn how to dispose of your product.

Before disposing of the product, cut off the power cable plug and make the door lock (if any) unusable to avoid dangerous conditions to children.

4 Preparation

Tips for saving energy

The following information will help you to use your appliance in an ecological way, and to save energy:

- Defrost frozen dishes before cooking them.
- Use pots/pans with cover for cooking. If there is no cover, energy consumption may increase 4 times.
- Select the burner which is suitable for the bottom size of the pot to be used. Always select the correct pot size for your dishes. Larger pots require more energy.

Initial use

First cleaning of the appliance



The surface might get damaged by some detergents or cleaning materials.

Do not use aggressive detergents, cleaning powders/creams or any sharp objects during cleaning.

Do not use harsh abrasive cleaners or sharp metal scrapers to clean the oven door glass since they can scratch the surface, which may result in shattering of the glass.

1. Remove all packaging materials.
2. Wipe the surfaces of the appliance with a damp cloth or sponge and dry with a cloth.

5 How to use the hob

General information about cooking



DANGER

Never fill the pan with oil more than one third of it. Do not leave the hob unattended when heating oil.

Overheated oils bring risk of fire.

Never attempt to extinguish a possible fire with water! When oil catches fire, cover it with a fire blanket or damp cloth.

Turn off the hob if it is safe to do so and call the fire department.

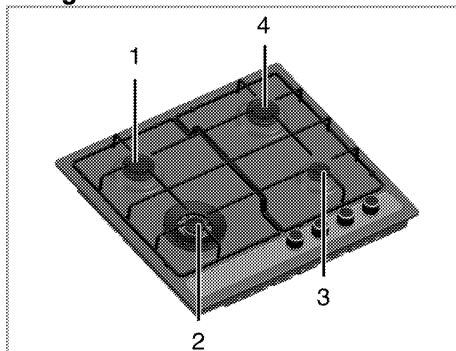
- Before frying foods, always dry them well and gently place into the hot oil. Ensure complete thawing of frozen foods before frying.
- Do not cover the vessel you use when heating oil.
- Place the pans and saucepans in a manner so that their handles are not over the hob to prevent heating of the handles. Do not place unbalanced and easily tilting vessels on the hob.
- Do not place empty vessels and saucepans on cooking zones that are switched on. They might get damaged.
- Operating a cooking zone without a vessel or saucepan on it will cause damage to the product. Turn off the cooking zones after the cooking is complete.
- As the surface of the product can be hot, do not put plastic and aluminum vessels on it. Such vessels should not be used to keep foods either.
- Use flat bottomed saucepans or vessels only.
- Put appropriate amount of food in saucepans and pans. Thus, you will not have to make any unnecessary cleaning by preventing the dishes from overflowing. Do not put covers of saucepans or pans on cooking zones. Place the saucepans in a manner so that they are centered on the cooking zone. When you want to move the saucepan onto another cooking zone, lift and place it onto

the cooking zone you want instead of sliding it.

Gas cooking

- Size of the vessel and the flame must match each other. Adjust the gas flames so that they will not extend the bottom of the vessel and center the vessel on saucepan carrier.

Using the hobs



- 1 Normal burner 14-20 cm
- 2 Wok burner 22-30 cm
- 3 Auxiliary burner 12-18 cm
- 4 Normal burner 14-20 cm is list of advised diameter of pots to be used on related burners.

Large flame symbol indicates the highest cooking power and small flame symbol indicates the lowest cooking symbol. In turned off position (top), gas is not supplied to the burners.

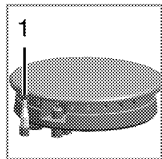
Igniting the gas burners

1. Keep burner knob pressed.
 2. Turn it counter clockwise to large flame symbol.
- » Gas is ignited with the spark created.
3. Adjust it to the desired cooking power.

Turning off the gas burners

Turn the keep warm zone knob to off (upper) position.

Gas shut off safety system (in models with thermic component)



1. Gas shut off safety

As a counter measure against blow out due to fluid overflows at burners, safety mechanism trips and shuts off the gas.

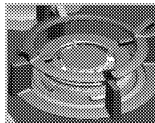
- Push the knob inwards and turn it counter clockwise to ignite.
- After the gas ignites, keep the knob pressed for 3-5 seconds more to engage the safety system.
- If the gas does not ignite after you press and release the knob, repeat the same procedure by keeping the knob pressed for 15 seconds.



DANGER

Release the button if the burner is not ignited within 15 seconds.
Wait at least 1 minute before trying again.
There is the risk of gas accumulation and explosion!

Wok burner



Wok burners help you to cook faster. Wok, which is particularly used in Asian kitchen is a kind of deep and flat fry-pan made of sheet metal, which is used to cook minced vegetable and meat at strong flame in a short time.

Since meals are cooked at strong flame and in a very short time in such fry-pans that conduct the heat rapidly and evenly, the nutrition value of the food is preserved and vegetables remain crispy. You can use wok burner for regular saucepans as well.

If you want to use regular saucepan on wok burner, you must take out the wok fry-pan carrier from the hob.

6 Maintenance and care

General information

Service life of the product will extend and the possibility of problems will decrease if the product is cleaned at regular intervals.



DANGER

Disconnect the product from mains supply before starting maintenance and cleaning works.

There is the risk of electric shock!



DANGER

Allow the product to cool down before you clean it.

Hot surfaces may cause burns!

- Clean the product thoroughly after each use. In this way it will be possible to remove cooking residues more easily, thus avoiding these from burning the next time the appliance is used.
- No special cleaning agents are required for cleaning the product. Use warm water with washing liquid, a soft cloth or sponge to clean the product and wipe it with a dry cloth.
- Always ensure any excess liquid is thoroughly wiped off after cleaning and any spillage is immediately wiped dry.
- Do not use cleaning agents that contain acid or chloride to clean the stainless or inox surfaces and the handle. Use a soft cloth with a liquid detergent (not abrasive) to wipe those parts clean, paying attention to sweep in one direction.



The surface might get damaged by some detergents or cleaning materials.

Do not use aggressive detergents, cleaning powders/creams or any sharp objects during cleaning.

Do not use harsh abrasive cleaners or sharp metal scrapers to clean the oven door glass since they can scratch the surface, which may result in shattering of the glass.

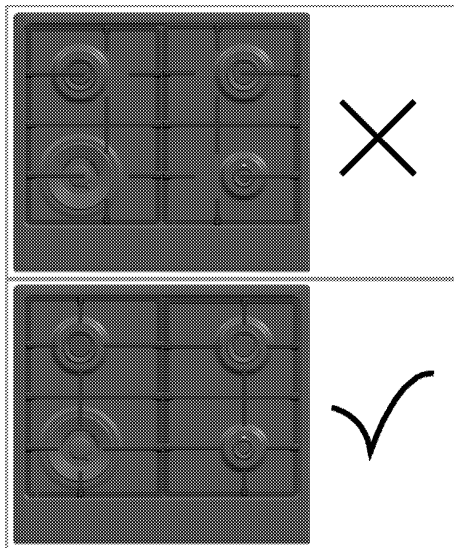


Do not use steam cleaners to clean the appliance as this may cause an electric shock.

Cleaning the hob

Gas hobs

1. Remove and clean the saucepan carriers and burner caps.
2. Clean the hob.
3. Install the burner caps and make sure that they are seated correctly.
4. When installing the upper grills, pay attention to place the saucepan carriers so that the burners are centered.

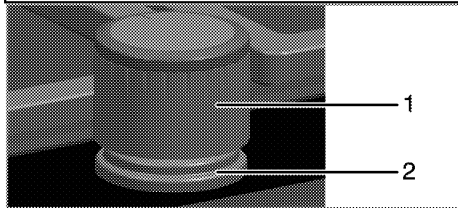


Cleaning the control panel

Clean the control panel and knobs with a damp cloth and wipe them dry.



Do not remove the control buttons/knobs to clean the control panel.
Control panel may get damaged!



- 1 Knob
- 2 Sealing element



Do not remove the sealing elements under the knobs for cleaning.

7 Troubleshooting

There is no gas.

Main gas valve is closed.	Open gas valve.
Gas pipe is bent.	Install gas pipe properly.

There is no ignition spark.

No current.	Check fuses in the fuse box.
-------------	------------------------------

Burners are not burning properly or at all.

Burners are dirty.	Clean burner components.
Burners are wet.	Dry the burner components.
Burner cap is not mounted safely.	Mount the burner cap properly.
Gas valve is closed.	Open gas valve.
Gas cylinder is empty (when using LPG).	Replace gas cylinder.



Consult the Authorised Service Agent or the dealer where you have purchased the product if you can not remedy the trouble although you have implemented the instructions in this section. Never attempt to repair a defective product yourself.

Перед началом эксплуатации прочитайте это руководство!

Уважаемый покупатель!

Мы хотели бы, чтобы вы добились наилучших результатов с изделием, изготовленным в современных производственных условиях и прошедшим строгий контроль качества. Поэтому рекомендуем вам внимательно и полностью изучить данное Руководство пользователя, прежде чем пользоваться изделием, и сохранить его для дальнейшего использования в справочных целях. Если вы передаете изделие новому владельцу, передайте ему и Руководство пользователя.

Данное Руководство пользователя поможет вам быстро и безопасно пользоваться изделием.

- Прежде чем устанавливать и включать духовой шкаф, прочитайте Руководство пользователя.
- Следует строго соблюдать инструкции по технике безопасности.
- Сохраните это Руководство пользователя под рукой для дальнейшего использования в справочных целях.
- Прочитайте также другие документы, входящие в комплект поставки изделия. Помните, что данное Руководство пользователя может быть применимо к некоторым другим моделям. Различия между моделями четко указаны в руководстве.

Пояснения к символам

В данном Руководстве пользователя используются следующие символы:



Важная информация или полезные советы по использованию.



Предупреждения о ситуациях, опасных для жизни людей и имущества.



Предупреждение об опасности поражения электрическим током.



Предупреждение об опасности пожара.



Предупреждение о горячих поверхностях.

1 Общие сведения 4

Обзор	4
Технические характеристики	5
Принадлежности	5
Характеристики горелок	6

2 Правила техники безопасности 7

Общие правила техники безопасности	7
Безопасность детей	7
Правила техники безопасности при работе с газовым оборудованием	8
Использование по назначению	9

3 Установка 10

До начала установки	10
становка и подключение	11
Переход на другой вид газа	13
Утилизация	14
Утилизация упаковочных материалов	14
Для будущей транспортировки	15
Утилизация старого изделия	15

4 Подготовка к эксплуатации 16

Рекомендации по экономии электроэнергии	16
Подготовка к эксплуатации	16
Очистка прибора перед началом эксплуатации	16

5 Правила эксплуатации варочной панели 17

Общие сведения о приготовлении пищи ..	17
Эксплуатация варочных панелей	17

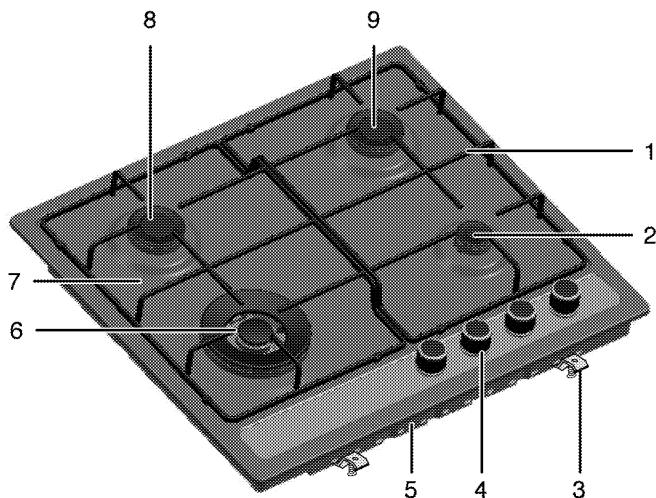
6 Уход и техническое обслуживание 19

Общие сведения	19
Чистка варочной панели	19
Чистка панели управления	20

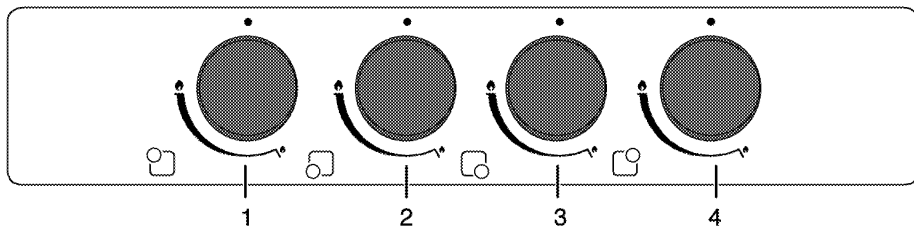
7 Поиск и устранение неисправностей 21

1 Общие сведения

Обзор



- | | | | |
|---|-------------------------|---|-------------------------------------|
| 1 | Подставка для посуды | 6 | Конфорка для посуды с выпуклым дном |
| 2 | Дополнительная конфорка | 7 | Крышка конфорки |
| 3 | Монтажный зажим | 8 | Нормальная конфорка |
| 4 | Панель управления | 9 | Нормальная конфорка |
| 5 | Основная крышка | | |



- | | | | |
|---|--|---|---|
| 1 | Нормальная конфорка Задняя левая | 3 | Дополнительная конфорка Передняя правая |
| 2 | Конфорка для посуды с выпуклым дном Передняя левая | 4 | Нормальная конфорка Задняя правая |

Технические характеристики

Напряжение/частота	220-230 В ~ 50 Гц
Тип кабеля/сечение	H05RR-FG 3 x 0,75 мм ²
Длина кабеля	макс. 2 м
Категория газового прибора	II 2H3V/P
Тип газа/давление	NG G 20/20 мбар
Общий расход газа	7,8 кВт
Переход на тип газа/давление [§] – дополнительно	NG G 20/10 мбар NG G 20/13 мбар - LPG G 30/30 мбар
Габариты (высота / ширина / глубина)	99 мм/580 мм/510 мм
Установочные размеры (ширина/глубина)	560 мм/480-490 мм
Конфорки	
Задняя левая	Нормальная конфорка
Мощность	1750 Вт
Передняя левая	Конфорка для посуды с выпуклым дном
Мощность	3300 Вт
Передняя правая	Дополнительная конфорка
Мощность	1000 Вт
Задняя правая	Нормальная конфорка
Размеры	14-20 см
Мощность	1750 Вт
Класс защиты -1	



При усовершенствовании качества продукции технические характеристики могут быть изменены без предварительного уведомления.



Иллюстрации в данном руководстве являются схематичными и могут несколько отличаться от конкретного изделия.



Значения, указанные на этикетках изделия или в сопроводительной документации, получены в лабораторных условиях согласно соответствующим стандартам. Эти данные могут быть иными в зависимости от условий эксплуатации изделия.

Принадлежности



Изделие комплектуется различным набором дополнительных принадлежностей в зависимости от модели. Некоторые дополнительные принадлежности, описанные в руководстве пользователя, в комплекте этого изделия могут отсутствовать.

Решетка для кофейника



Предназначена для установки кофейника.

Подставка для подогрева тарелок



Предназначена для установки посуды с выпуклым дном.

Характеристики горелок

Расположение конфорки	1750 Вт Задняя левая	3300 Вт Передняя левая	1000 Вт Передняя правая	1750 Вт Задняя правая
Тип газа / давле- ние				
G 20/10 мбар	116	160	92	116
G 20/13 мбар	107	150	85	107
G 20/20 мбар	97	132	78	97
G 30/28-30 мбар	66	92	50	66

2 Правила техники безопасности

В данном разделе содержатся инструкции по технике безопасности, которые помогут вам избежать травм и повреждений. В случае невыполнения этих инструкций, гарантия аннулируется.

Общие правила техники безопасности

- Этот прибор не предназначен для использования лицами с ограниченными физическими, сенсорными или умственными способностями, а также лицами, не имеющими достаточного опыта и знаний (в том числе детьми), если они не находятся под наблюдением лица, ответственного за их безопасность, или не действуют по его указаниям относительно использования данного изделия. Следите за тем, чтобы дети не портили прибор.
- Подключайте прибор к розетке или линии с заземлением, защищенную предохранителем, мощность которого соответствуют данным, приведенным в таблице "Технические характеристики". Установку заземления должен выполнять квалифицированный специалист (при использовании прибора с трансформатором или без него). Наша компания не несет ответственности за ущерб, понесенный вследствие использования прибора без заземления, выполненного в соответствии с местными нормами и правилами.
- Во избежание несчастных случаев, при повреждении шнура питания он должен быть заменен производителем, его специалистом по сервису или лицом, имеющим аналогичную квалификацию.
- Не пользуйтесь неисправным прибором, а также прибором с заметными повреждениями.
- Не ремонтируйте прибор и не вносите в него никаких изменений. Однако можно самостоятельно устранять неисправно-

сти, не требующие ремонта прибора или замены деталей. См. раздел *Поиск и устранение неисправностей*, стр. 21

- Запрещено мыть прибор водой! Это может привести к поражению электрическим током.
- Не пользуйтесь прибором, находясь под воздействием алкоголя или лекарственных препаратов, снижающих скорость реакции или нарушающих координацию движений.
- Прежде чем приступать к установке, техническому обслуживанию, чистке и ремонту, изделие необходимо отключить от электросети.
- Будьте осторожны при использовании спиртных напитков в приготавливаемых блюдах. При высокой температуре спирт испаряется, и при соприкосновении с горячими поверхностями может загореться и вызвать пожар.
- Не разогревайте в духовом шкафу продукты в закрытых жестяных или стеклянных банках. Внутри банок может повыситься давление, что приведет к взрыву.
- Не располагайте рядом с прибором легковоспламеняющиеся материалы, так как во время работы его боковые поверхности сильно нагреваются.
- Следите за тем, чтобы вентиляционные отверстия были полностью открыты.
- После использования обязательно выключайте прибор.



Прибор должен устанавливаться квалифицированным специалистом в соответствии с действующими нормами и правилами. В противном случае гарантия аннулируется.

Безопасность детей

- Электрическое и газовое оборудование представляют опасность для детей. Во время работы духового шкафа не до-

пускайте к нему детей, а также не разрешайте им играть с ним.

- Не подпускайте детей к изделию во время его работы, а также, пока оно не остыло, так как внешние части изделия сильно нагреваются.
- Не храните над изделием предметы, которые дети могут попытаться достать.
- Упаковочные материалы опасны для детей. Храните упаковочные материалы в недоступном для детей месте. Утилизируйте все упаковочные материалы в соответствии с нормами по охране окружающей среды.

Правила техники безопасности при работе с газовым оборудованием

- Все работы с газовыми приборами и системами должны выполнять только квалифицированные специалисты, имеющие право на выполнение таких работ.
- "Перед установкой проверьте, соответствуют ли параметры местной распределительной сети (давление и тип газа) настройкам прибора."
- "Это устройство не подсоединяется к устройству для удаления продуктов горения. Это устройство не подсоединяется к устройству для удаления продуктов горения. Установка и подключение прибора должны выполняться в соответствии с действующими нормами и правилами. Особое внимание следует уделить требованиям к вентиляции" (см. раздел *До начала установки, стр. 10*).
- "ВНИМАНИЕ! Во время эксплуатации газовой плиты она выделяет тепло, влагу и продукты сгорания в помещении, в котором установлена. Убедитесь, что кухня хорошо проветривается, в особенности во время использования прибора: держите открытыми отверстия, через которые осуществляется естественная вентиляция, или установите прибор для искусственной вентиляции (механическую наплитную вытяжку).

Длительное интенсивное использование прибора может требовать дополнительной вентиляции, например, увеличения уровня мощности механической вытяжки, если она имеется»."

- Необходимо регулярно проверять исправность газовых приборов и систем. Регулятор, шланг и его хомут следует проверять регулярно и заменять в сроки, рекомендованные производителем, или по мере необходимости.
- Регулярно очищайте газовые горелки. Горелка должна гореть ровным голубым пламенем.
- В газовых приборах необходимо обеспечить полное сжигание газа, так как при неполном сгорании газа выделяется угарный газ (CO). Угарный газ (монооксид углерода) - это очень ядовитый бесцветный газ без запаха, который даже в очень малых дозах вызывает отравление и смерть.
- Узнайте у своего поставщика газа телефон местной аварийной службы газа, а также ознакомьтесь с мерами предосторожности, которые необходимо предпринимать при обнаружении запаха газа.

Меры предосторожности при обнаружении запаха газа



ОПАСНО!

Не пользуйтесь открытым пламенем и не курите.

Не пользуйтесь электрическими выключателями (например, выключателем освещения, дверным звонком и т.д.).

Не пользуйтесь стационарными и мобильными телефонами.

Остерегайтесь взрыва и отравления газом!

1. Перекройте все краны газовых приборов и газовых счетчиков
2. Откройте окна и двери.
3. Проверьте все трубы и соединения на герметичность. Если запах газа не исчезает, покиньте помещение.
4. Предупредите соседей.

5. Вызовите пожарную команду. Звоните по телефонному аппарату, который находится за пределами дома.
6. Не входите в помещение, пока вам не сообщат, что это безопасно.

Использование по назначению

Данное изделие предназначено исключительно для бытового использования. Запре-

щается использовать прибор в коммерческих целях.

"ВНИМАНИЕ! Данное изделие предназначено исключительно для приготовления пищи. Его запрещено использовать для других целей, например, для обогрева помещения." Производитель не несет ответственности за повреждения в результате использования изделия не по назначению или неправильного обращения с ним.

3 Установка

Прибор должен устанавливаться квалифицированным специалистом в соответствии с действующими нормами и правилами. В противном случае гарантия аннулируется. Производитель не несет ответственности за повреждения в результате выполнения работ лицами, не имеющими соответствующей квалификации. Это может привести к аннулированию гарантии.



Подготовка места установки, электрического и газового оборудования обеспечивается покупателем.



ОПАСНО!

Бытовой прибор следует устанавливать в соответствии со всеми местными нормами по подключению газового и/или электрического оборудования.



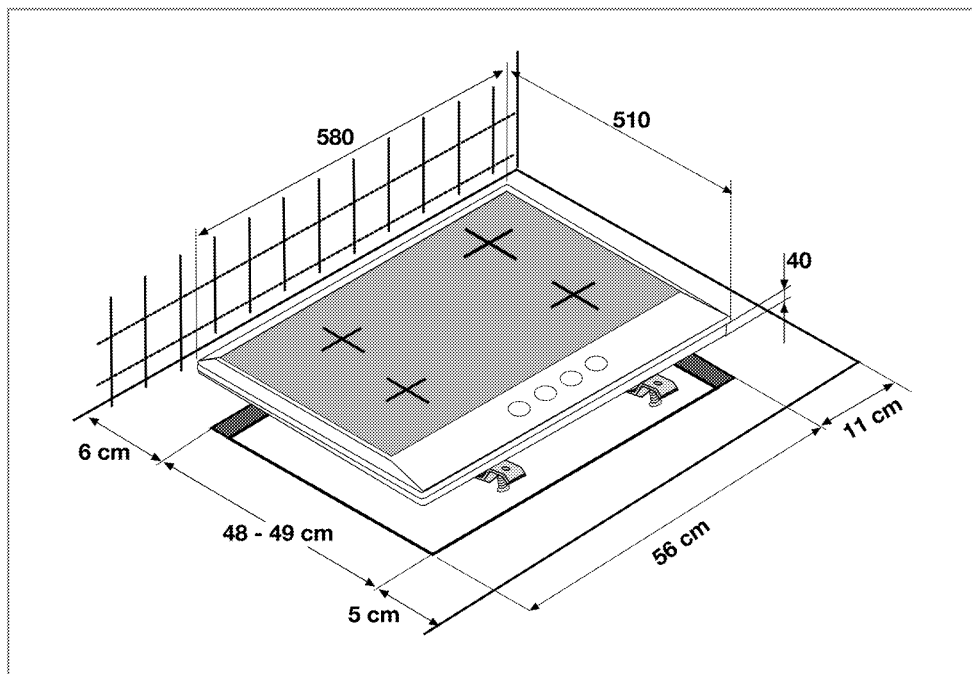
ОПАСНО!

Прежде чем приступать к установке, визуально проверьте отсутствие внешних дефектов духового шкафа. При наличии дефектов не устанавливайте его. Поврежденные электроприборы представляют собой угрозу вашей безопасности.

До начала установки

Варочная панель предназначена для установки в стандартную столешницу фабричного изготовления. Между бытовой техникой, стенами кухни и мебелью следует оставить определенное безопасное расстояние. См. рисунок (размеры приведены в миллиметрах).

- Плита может также стоять отдельно. Обеспечьте свободное расстояние не менее 750 мм от поверхности плиты до поверхностей над ней.
- В случае установки надплитного воздухоочистителя соблюдайте инструкции его производителя в отношении высоты монтажа устройства (мин. 650 мм).
- Снимите все упаковочные материалы и фиксаторы для транспортировки.
- Используемые поверхности, синтетические покрытия и клеи должны быть термостойкими (не менее 100 °C).
- Столешница должна быть выровнена по уровню и закреплена.
- Сделайте вырез в столешнице в соответствии с установочными размерами варочной панели.



Вентиляция помещения

В помещении должно быть открывающееся окно, а в некоторых помещениях необходимо также наличие постоянной вентиляции. Забор воздуха для процесса горения производится в помещении, и уходящие газы выделяются непосредственно в помещение. Поэтому для безопасной эксплуатации устройства необходимо обеспечить хорошую вентиляцию помещения. Если в помещении нет окна или двери, пригодных для вентиляции, необходимо установить дополнительные средства вентиляции.

Устройство может устанавливаться в кухне, в кухне-столовой или в жилой комнате, но не в помещении с ванной или душем. Плиту запрещается устанавливать в жилой комнате площадью менее 20 м².³

Не устанавливайте плиту в помещении, находящемся ниже уровня поверхности, если оно не выходит на уровень поверхности хотя бы одной стороной.

Размер помещения	Вентиляционный проем
менее 5 м ³	не менее 100 см ²
5 м ³ до 10 м ³	не менее 50 см ²
более 10 м ³ /ден	не требуется
В подвальном помещении	не менее 65 см ²

становка и подключение

- Бытовой прибор следует устанавливать в соответствии со всеми местными нормами по подключению газового и электрического оборудования.

Подключение к электросети

Подключайте прибор к розетке или линии с заземлением, защищенную предохранителем, мощность которого соответствуют данным, приведенным в таблице "Технические характеристики". Установку заземление должен выполнять квалифицированный специалист (при использовании прибора с трансформатором или без него). Наша компания не несет ответственности за ущерб, понесенный вследствие использования прибора без заземления, выполненного в

соответствии с местными нормами и правилами.



ОПАСНО!

Подключение прибора к электросети должен выполнять квалифицированный специалист, имеющий право на выполнение таких работ. Гарантийный период начинается только после правильной установки. Производитель не несет ответственности за повреждения в результате выполнения работ лицами, не имеющими соответствующей квалификации.



ОПАСНО!

Шнур питания не должен быть сдавлен, изогнут или зажат, а также не должен соприкасаться с нагревающимися компонентами изделия. Замену поврежденного шнура питания должен выполнять квалифицированный электрик. В противном случае это может привести к поражению электрическим током, короткому замыканию или возгоранию!

- Подключение должно выполняться в соответствии с национальными нормами.
- Параметры электрической сети должны соответствовать данным, указанным на паспортной табличке прибора. Паспортная табличка находится на задней стороне корпуса прибора.
- Шнур питания прибора должен соответствовать параметрам, указанным в таблице "Технические характеристики".



ОПАСНО!

Перед выполнением каких-либо электромонтажных работ отключите прибор от электрической сети. Существует риск поражения электрическим током!



К штепсельной вилке шнура питания после установки должен быть обеспечен легкий доступ (не прокладывайте шнур над варочной поверхностью).

Включите шнур питания в розетку.

Подключение газа



ОПАСНО!

Подключение прибора к электрической сети должен выполнять квалифицированный специалист, имеющий право на выполнение таких работ.

Непрофессиональный ремонт может привести к взрыву или отравлению газом!

Производитель не несет ответственности за повреждения в результате выполнения работ лицами, не имеющими соответствующей квалификации.



ОПАСНО!

Перед выполнением каких-либо работ по монтажу газовых приборов перекройте подачу газа. Это может привести к взрыву!

- Тип и давление газа, на которые отрегулирован прибор, указаны на паспортной таблице или маркировке.

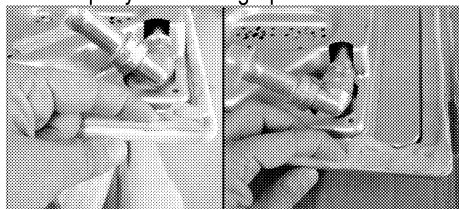


На ваше изделие может подаваться природный газ (NG).

- Перед установкой прибора необходимо подготовить подвод природного газа.
- К выпускному отверстию источника газа должна быть присоединена гибкая подводка для подвода газа к прибору, закрытая заглушкой. При установке прибора представитель службы газа вынет заглушку и присоединит прибор к газовой сети с помощью муфты.
- Газовый вентиль должен находиться в легкодоступном месте.
- Если впоследствии возникнет необходимость перевести прибор на другой вид газа, обратитесь в фирменный сервисный центр для получения консультации о том, как выполнить такой переход.

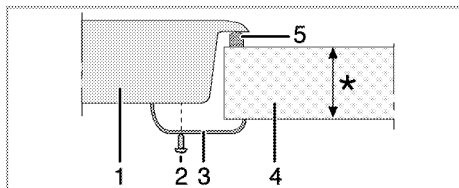
Инструкция по монтажу

1. Снимите с варочной панели горелки, накладки горелок и решетки.
2. Переверните варочную панель и положите ее на ровную поверхность.
3. Для предотвращения попадания посторонних веществ и жидкостей между варочной панелью и столешницей перед установкой нанесите на столешницу герметик из комплекта поставки по контуру нижней части корпуса варочной панели, не допуская при этом наложения слоев герметика.
4. Заполните углы формовочными дугами, как показано на рисунке. Согните дугу, насколько необходимо, чтобы заполнить зазор в углах./Paragraph



i Приплинтусовые секции внизу корпуса варочной панели должны быть заполнены герметиком./Paragraph

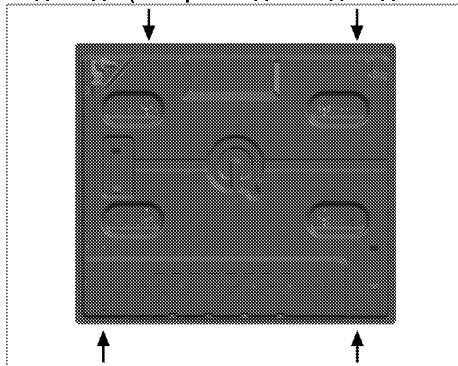
5. Снова переверните варочную панель, выровняйте и расположите ее на столешнице.
6. Закрепите варочную панель в столешнице с помощью прилагаемых к ней монтажных зажимов и винтов.



* мин. 20 мм - макс. 40 мм

- 1 Варочная панель
- 2 Винт
- 3 Монтажный зажим
- 4 Столешница
- 5 Герметик

Вид сзади (отверстия для подсоединения)



После окончания установки вставьте на место конфорки, накладки конфорок и решетки.

i Не рекомендуется использовать для присоединения другие отверстия, так при этом можно повредить газовую и электрическую системы.

Окончательная проверка

1. Откройте подачу газа.
2. Проверьте места подключения газа на надежность закрепления и герметичность.
3. Зажгите горелки и проверьте внешний вид пламени.

i Пламя должно быть голубым и иметь обычную форму. Если пламя имеет желтоватый оттенок, проверьте положение накладки горелки или прочистите горелку.

Переход на другой вид газа

! ОПАСНО!
Перед выполнением каких-либо работ по монтажу газовых приборов перекройте подачу газа.
Это может привести к взрыву!

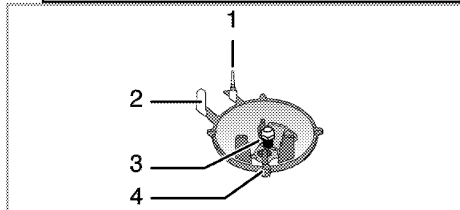
Для перехода на другой вид газа необходимо заменить все форсунки прибора и отрегулировать все краны для уменьшения подачи газа.

Замена форсунок в горелках

1. Снимите накладку горелки и выньте корпус горелки.

2. Вывинтите форсунки, поворачивая против часовой стрелки.
3. Вставьте новые форсунки.
4. Проверьте соединения на надежность закрепления и герметичность.

i Расположение новых форсунок указано на упаковке или в таблице на *Характеристики горелок*, стр. 6.



- 1 Устройство газ-контроля (в зависимости от модели)
- 2 Свеча зажигания
- 3 Форсунка
- 4 Горелка

i Не снимайте газовые краны горелок без особой необходимости. В случае необходимости замены кранов обращайтесь только в фирменный сервисный центр.

Регулировка газовых кранов для уменьшения подачи газа

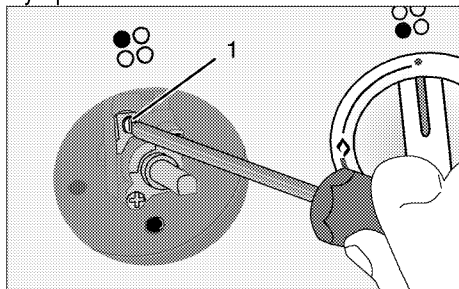
1. Зажгите горелку, которую нужно отрегулировать, и установите ручку регулятора в положение минимального пламени.
2. Снимите ручку регулятора с газового крана.
3. К винту регулировки подачи газа примените отвертку соответствующего размера.

Для сжиженного нефтяного газа (бутан-пропан) следует повернуть винт по часовой стрелке. Для природного газа следует повернуть винт на один оборот **против часовой стрелки**.

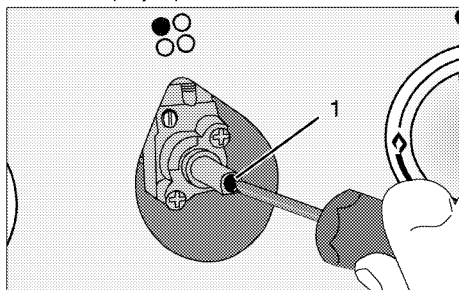
» Нормальная высота прямого пламени при установке регулятора в положение минимального пламени должна составлять 6-7 мм.

4. Если пламя выше, чем нужно, поверните винт по часовой стрелке, если ниже – поверните в противоположную сторону.
5. В качестве заключительной проверки установите регулятор конфорки в положение максимального и минимального пламени и проверьте воспламенение и выключение огня.

Положение винта регулировки подачи зависит от типа газового вентиля, используемого в устройстве.



- 1 Винт регулировки подачи газа



- 1 Винт регулировки подачи газа

i При замене типа газа необходимо также заменить и паспортную табличку прибора, содержащую информацию о потребляемом газе.

Утилизация

Утилизация упаковочных материалов

Упаковочные материалы опасны для детей. Храните упаковочные материалы в безопасном и недоступном для детей месте. Упаковочные материалы изделия изготовленные из материалов, подлежащих вторичной

переработке. Утилизируйте их соответствующим образом и сортируйте согласно инструкций по обращению с отходами, подлежащими вторичной переработке. Не утилизируйте их вместе с обычными бытовыми отходами.

Для будущей транспортировки

- Сохраните оригинальную упаковочную коробку и перевозите прибор в ней. Следуйте указаниям, нанесенным на упаковке. Если оригинальная упаковочная коробка не сохранилась, заверните изделие в пузырчатую упаковку или поместите в плотный картон. Надежно заклейте клейкой лентой.
- Закрепите наклейки горелок и подставки для посуды клейкой лентой.



Осмотрите прибор снаружи на предмет возможных повреждений при транспортировке.

Утилизация старого изделия



Утилизируйте старое изделие экологически безопасным способом.

Данное изделие имеет символ раздельной сортировки отходов электрического и электронного оборудования (WEEE). Это означает, что с данным оборудованием необходимо обращаться в соответствии с Европейской директивой 2002/96/EC, чтобы отрицательное воздействие на окружающую среду при его переработке или разборке сводилось к минимуму. Для получения дополнительной информации обращайтесь в местные или региональные органы власти.

Чтобы узнать о порядке утилизации вашего изделия, обратитесь к местному дилеру или в пункт сбора твердых отходов вашего региона.

Прежде чем утилизировать изделие, отрежьте вилку шнура питания и выведите из строя замок дверцы (если он имеется), чтобы не создавать опасных ситуаций для детей.

4 Подготовка к эксплуатации

Рекомендации по экономии электроэнергии

Эти рекомендации помогут вам использовать изделие экологически чистым способом и экономить электроэнергию.

- Размораживайте замороженные продукты перед приготовлением.
- Готовьте пищу в закрытой посуде. При приготовлении в открытой посуде энергопотребление может возрасти в 4 раза.
- Выбирайте конфорку соответственно размеру дна посуды. Обязательно выбирайте посуду соответственно объему приготовляемого блюда. Чем больше

объем посуды, тем выше энергопотребление.

Подготовка к эксплуатации

Очистка прибора перед началом эксплуатации



Некоторые моющие средства и чистящие материалы могут повредить поверхность.

Не используйте для чистки агрессивные моющие средства, чистящие порошки/кремы, а также острые предметы.

1. Снимите все упаковочные материалы.
2. Протрите поверхность прибора влажной тканью или губкой и вытрите насухо.

5 Правила эксплуатации варочной панели

Общие сведения о приготовлении пищи



ОПАСНО!

Не заполняйте кастрюлю растительным маслом более чем на одну треть. При нагревании масла не оставляйте варочную панель без присмотра. Остерегайтесь возгорания раскаленных масел.

Не тушите огонь водой! При возгорании масла накройте посуду одеялом или влажной тканью. По возможности выключите варочную панель и позвоните в пожарную службу.

- Перед жареньем продукты нужно обязательно обсушивать. Опускайте продукты в горячий жир с осторожностью. Замороженные продукты перед жареньем следует полностью разморозить.
- Посуду, в которой разогревается жир, накрывать нельзя.
- Посуду следует ставить на плиту таким образом, чтобы ручки не нагревались над горячей поверхностью плиты. Не ставьте на плиту неустойчивую посуду, которая легко опрокидывается.
- Не ставьте на включенные конфорки пустую посуду – это может привести к ее повреждению.
- Не оставляйте включенными конфорки, на которых нет посуды – это может привести к повреждению плиты. Обязательно выключайте конфорки после окончания приготовления пищи.
- Не ставьте на плиту пластмассовую или алюминиевую посуду, так как на горячей поверхности они могут расплавиться. Такую посуду также не следует использовать для хранения пищевых продуктов.
- Можно использовать только посуду с плоским дном.
- Размер посуды должен соответствовать количеству продуктов. Тогда продукты

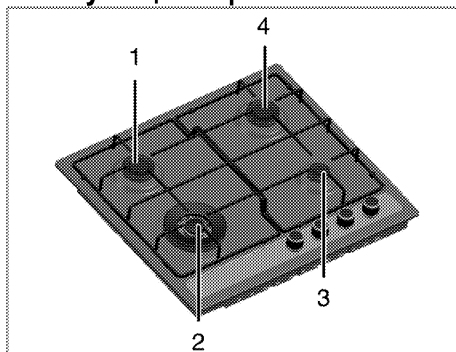
не будут выплескиваться из посуды, и не придется лишний раз мыть плиту. Не кладите на конфорки крышки кастрюль.

Размещайте посуду по центру конфорки. Если нужно переместить посуду на другую конфорку, поднимите ее и переставьте. Ни в коем случае не передвигайте посуду по поверхности плиты.

Приготовление пищи на газовой конфорке

- Диаметр пламени должен соответствовать размеру посуды. Пламя газовой конфорки следует регулировать таким образом, чтобы оно не выходило за пределы дна посуды. Посуду следует ставить по центру конфорки.

Эксплуатация варочных панелей



- 1 Нормальная конфорка 14-20 см
- 2 Конфорка для посуды с выпуклым дном 22-30 см
- 3 Дополнительная конфорка 12-18 см
- 4 Нормальная конфорка 14-20 см список рекомендованных диаметров посуды для использования на соответствующих конфорках.

Большой символ пламени соответствует максимальному уровню мощности, а маленький символ пламени – минимальному. В положении «выключено» (верхняя точка) подача газа к горелкам прекращается.

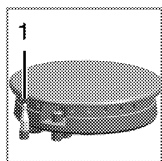
Розжиг газовых горелок

1. Прижмите регулятор горелки и
 2. поверните его против часовой стрелки в сторону большого символа пламени.
- » При этом вспыхнет искра, и газ загорится.
3. Установите нужный уровень мощности.

Выключение газовых горелок

Поверните регулятор зоны подогрева в положение «Выключено» (вверх).

Система предотвращения утечки газа (в моделях с термопарой)



1. Система предотвращения утечки газа

Горелки снабжены предохранительным механизмом, прекращающим подачу газа, если пламя внезапно погаснет, например, его зальет жидкость.

- Для розжига прижмите регулятор и поверните его против часовой стрелки.
- Чтобы включить систему защиты, после воспламенения газа удерживайте регулятор в нажатом положении еще 3-5 секунд.
- Если после нажатия и отпускания регулятора пламя погаснет, повторите те же действия, удерживая регулятор в нажатом положении в течение 15 секунд.

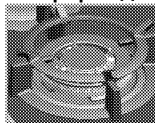


ОПАСНО!

Если в течение 15 секунд розжиг горелки не произошел, отпустите кнопку.

Повторите попытку не ранее, чем через 1 минуту. Существует риск накопления газа и взрыва!

Конфорка для посуды с выпуклым дном



Конфорки для посуды с выпуклым дном позволяют ускорить процесс приготовления пищи. Сковорода вок, которая широко используется в кухне стран Азии, – это глубокая сковорода из листового металла, в которой быстро готовят мелко нарезанные овощи и мясо на сильном огне.

В такой сковороде тепло распределяется быстро и равномерно. Еду в ней готовят короткое время на сильном огне, поэтому продукты не теряют пищевую ценность, а овощи остаются сочными.

Конфорку для посуды с выпуклым дном можно также использовать для приготовления пищи в обычной посуде.

Перед тем как поставить обычную посуду на конфорку для посуды с выпуклым дном, необходимо вынуть из нее подставку для сковороды вок.

6 Уход и техническое обслуживание

Общие сведения

Регулярно выполняйте чистку прибора. Это позволит продлить срок его службы, а также избежать многих проблем.



ОПАСНО!

Перед выполнением работ по обслуживанию и чистке отключите прибор от электрической сети. Существует риск поражения электрическим током!



ОПАСНО!

Дайте изделию остыть, прежде чем приступать к чистке. Горячие поверхности могут причинить ожоги!

- Прибор следует тщательно чистить после каждого использования. Так легче удалять остатки пищи, которые могут пригореть при следующем использовании прибора.
- Для чистки прибора не требуются специальные чистящие средства. Прибор можно вымыть теплой водой с добавлением жидким моющего средства, используя мягкую ткань или губку. А затем протереть сухой тканью.
- Обязательно протирайте прибор насухо после чистки и сразу же удаляйте попавшую на него жидкость.
- Не используйте для чистки ручки и поверхностей из нержавеющей стали чистящие средства, содержащими кислоту или хлор. Эти детали можно протирать мягкой тканью, смоченной в жидком моющем средстве (без абразивных добавок), стараясь тереть в одном направлении.



Некоторые моющие средства и чистящие материалы могут повредить поверхность.

Не используйте для чистки агрессивные моющие средства, чистящие порошки/кремы, а также острые предметы.

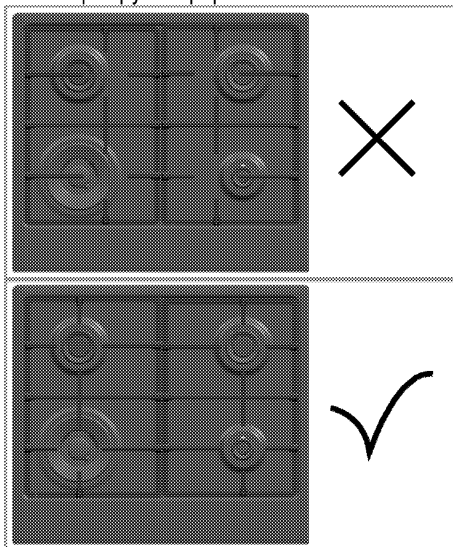


Не используйте для чистки устройства пароочистители, поскольку это может привести к поражению электрическим током.

Чистка варочной панели

Газовые варочные панели

1. Снимите и вымойте конфорки и накладки горелок.
2. Вымойте варочную панель.
3. Аккуратно установите накладки горелок на свои места.
4. При установке верхних решеток следите за тем, чтобы горелки находились точно по центру конфорок.

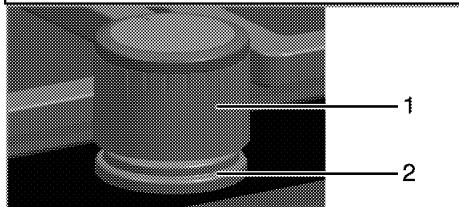


Чистка панели управления

Очистьте панель управления и ручки-регуляторы влажной тканью и вытрите насухо.



Для чистки панели управления не снимайте кнопки/ручки-регуляторы. Так можно повредить панель управления!




- 1 Ручка-регулятор
- 2 Уплотнительная прокладка



При чистке не снимайте уплотнительные прокладки под ручками-регуляторами.

7 Поиск и устранение неисправностей

Газ не поступает.	
Перекрыт общий газовый кран.	Откройте газовый кран.
Перегиб газового шланга.	Правильно расположите газовый шланг.
При розжиге не вспыхивает искра.	
Нет тока.	Проверьте предохранители в блоке предохранителей.
Горелки плохо горят или вообще не горят.	
Горелки засорены.	Очистите компоненты горелки.
Горелки влажные.	Просушите компоненты горелки.
Накладка горелки плохо установлена.	Правильно установите накладку горелки.
Перекрыт газовый кран.	Откройте газовый кран.
Газовый баллон пуст (при использовании сжиженного газа).	Замените газовый баллон.
	Если вы не можете устранить неполадки, несмотря на выполнение инструкций, приведенных в данном разделе, обратитесь к представителю авторизованной сервисной службы. Не пытайтесь самостоятельно отремонтировать неисправный электроприбор.

Изготовитель: «Arcelik A.S.»

Юридический адрес: Караач Джаддеси № 2-6 34445 Сютлюдже Стамбул, Турция
(Karaağaç Caddesi No:2-6 Sütlüce, 34445, Turkey)

Произведено в Турции

Импортер на территории РФ: ООО «БЕКО»

Юридический адрес: 601010, Владимирская область, Киржачский район, завод «БЕКО»
Информацию о сертификации продукта Вы можете уточнить, позвонив на горячую линию
8-800-200-23-56.

Дата производства включена в серийный номер продукта, указанный на этикетке, расположенной на продукте, а именно: первые две цифры серийного номера обозначают год производства, а последние две – месяц. Например, "10-100001-05" обозначает, что продукт произведен в мае 2010 года.

